

FL Area Horizontal Flood

FLOOD / SIGNAGE LIGHTING

300-480V

100-277V

**LM79
LM80**

IP66



PROJECT INFORMATION

Project Name _____

Catalog No. _____

Date _____

DESCRIPTION

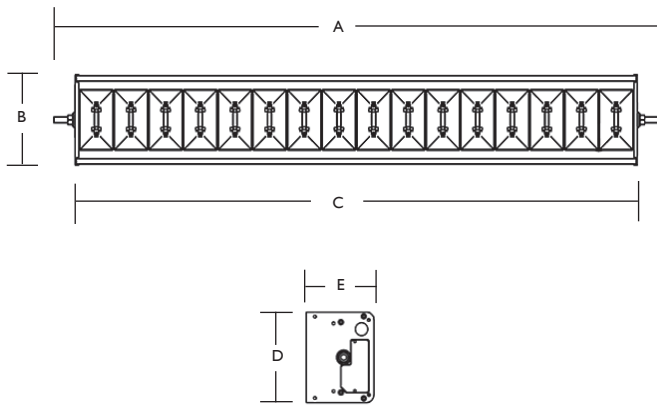
The ActiveLED® Area Horizontal Flood Luinaire is designed to give a clean, even pattern of light over an extended outdoor area. With nearly 1,000 sq. ft. of light coverage (Fixture Mounted at 20'), the FL Area Horizontal Flood is an ideal choice for locations where lighting poles are spaced further apart, or it's necessary to throw light out into an extended space such as a park or recreation area. This fixture also works well to light up a retail or commercial building while attached to poles in the parking area.

Applications include: Parking Lots, Parks and Recreation Areas.



FL40 with AT Mount

DIMENSIONS



A	B	C	D	E
43.20"	6.13"	40.32"	6.13"	4.76"
1097.33cm	15.57cm	102.41cm	15.57cm	12.09cm

FEATURES

- ActiveREST™ Dimming Technology - Fixture may be automatically dimmed when full light levels are not required. EXAMPLE - Dimming level 40 equates to less than 9% of actual watts being consumed.
- ThermalDRAW™ Cooling Technology - Patented cooling technology ensures LED components will equal or exceed warranty.
- LightSpace® Lighting Controls - Fixture is capable of being programmed and controlled either individually or as part of a lighting zone via remote sensors, switches or building management system (BMS).
- Battery Backup Enabled - This option provides 48V DC support for an Emergency Battery Backup Unit (BBU sold separately) creating an Emergency LED Light Fixture.
- Dusk/Dawn Sensor - Optional photocell allows fixture to automatically turn on or off based on daylight detection.
- IR Receiver Plus Motion - Optional remote passive infrared (PIR) motion sensor with IR receiver for programmable Vacant-to-OFF and Vacant-to-Dim level programming.
- IR Receiver - Optional integral IR sensor only for ON-to-Dim programming.
- Warranty - 10 Year Warranty on LED elements, fixture housing, and LED Driver. See page 2 for additional warranty information.

LIGHT OUTPUT

8,651 lm

WATTS

98.8W

LUMENS per WATT

87.61 lm/W

LIGHT COLOR (CCT)

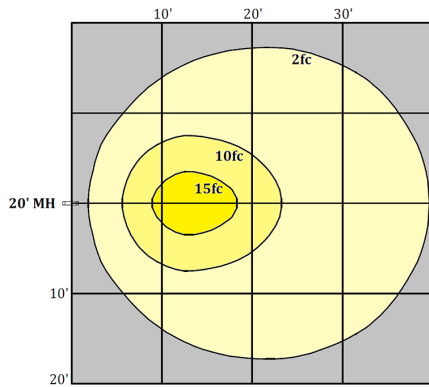
5104 K

NOTE: Lighting Facts shown for FL40, 96W only.
For more Lighting Facts, visit lightingfacts.com for the Label and Label Reference Guide.

ActiveLED®
Energy Efficient Lighting and Controls



PHOTOMETRICS



PERFORMANCE DATA

AMBIENT TEMPERATURES	0 HOURS	45,000 HOURS	90,000 HOURS
77°F (25°C)	1.00	0.99	0.99
104°F (40°C)	1.00	0.98	0.96
131°F (55°C)	1.00	0.96	0.92
140°F (60°C)	1.00	0.95	0.90

Projected Lumen Maintenance (TM-21)

NOTE: Calculated using data collected according to LM-80 lumen maintenance on the LED package.

NOTE: Photometrics shown for FL40, 96W only. Contact company for photometrics on other sizes.

GENERAL SPECIFICATIONS

Input Voltage	Auto-sensing, 100-277 Volts AC, 50/60 Hz; Auto-sensing, 300-480 Volts AC, 50/60 Hz	LED Optics	IP66 rated, thermally bonded LEDs, borosilicate glass lens w/silicone sealing. Patented thermal management mounting system
Input Power	28, 40, 50, 75 or 104 Watts	CCT	2700K, 3000K, 3500K, 4000K, or 5000K
Power Factor	> 0.95 (at ~100-277 Volts)	Housing	Extruded aluminum for enclosure and heat sinking parts, stainless steel hardware
THD	Total Harmonic Distortion (THD) <20% (typical 9.9%)	Finish	Powder coated after fabrication
Driver	Integral driver with integrated intelligent controls and integral heat sink	Dimensions	6.13" Wide x 40.32" Long x 4.69" High (15.57cm x 102.41cm x 11.91cm)
Operating Temperature	-58° F to 149° F (-50° C to 65° C)	Weight	28 pounds (12.7kg)
Lumen Lifetime	L90/90K Hrs @ 60° C (90,000 Hrs with 90% Luminous Flux)		

WARRANTY

Ten (10) Year Warranty - LEDs, Fixture, and Driver shall conform to its published specifications under normal usage and operating conditions including "no light loss" of more than 10% at the end of the period. LEDs will produce at least 90% of their initial light output with no color shift after 90,000 hours of operation.

LISTINGS AND TESTS

cUL listed driver, ULI 598, CE, suitable for exterior locations. RoHS compliant. IP66 Rated optical assembly. LM-79 and LM-80 info available. Conforms to FCC Part 15.19 Subpart B Class A. Made in USA - ARRA Compliant.

ORDERING INFORMATION

Example: FL40U-AT-HF5096SL-B



Style	Voltage	Mount	Optics	Diffuser	CCT	Watts	Color	Options
FL08 8" Flood Light 18W Max	U 100-277 VAC, 50/60 Hz.	AT All Thread Mounting	H Horizontal	F Clear Low FE Diffuser	50 5,000K	06 6W LED, 8W Max	SL Silver	B Battery Backup
FL11 11" Flood Light 24W Max	6 300-480 VAC, 50/60 Hz., Digitally & BBU Enabled	2S Stirrup Included		C High Impact Diffuser	40 4,000K	12 12W LED, 14W Max	BK Black	C Digital Management
FL13 13" Flood Light 36W Max	S Solar Integrated, DC Only Driver	2K Knuckle Tenon Center		D Mottled Glass Diffuser	35 3,500K	24 24W LED, 28W Max	BR Brown	D Dusk-to-Dawn
FL24 24" Flood Light 48W Max	N None ¹	3K Knuckle J-Box Center			30 3,000K	36 36W LED, 38W Max	BZ Bronze	F Dusk-to-Dawn w/ Digital Management
FL40 40" Flood Light 96W Max	E 45/48 VDC Power Supply (No AC Support)				27 2,700K	48 48W LED, 50W Max	CG Charcoal	R IR Receiver Only, Programmable
						72 72W LED, 75W Max	WH White	
						96 96W LED, 104W Max (8651 Lumens)	X Custom	

¹ Requires remote driver. Consult factory.

² No AC Support.

³ 48W and 72W Only.

Lumens at 5,000K