

# OL2M Series 60cm x 60cm Lensed Troffer

RECESSED MOUNT LIGHTING

**300-480V**

**100-277V**

**LM79  
LM80**

**IP51**



## PROJECT INFORMATION

Project Name \_\_\_\_\_

Catalog No. \_\_\_\_\_

Date \_\_\_\_\_

## DESCRIPTION

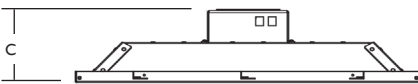
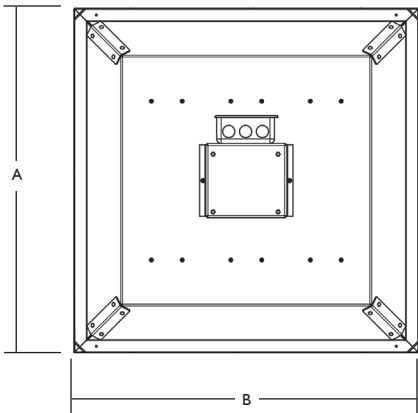
The ActiveLED® OL2M Series 60cm x 60cm Recessed Troffer is designed to give a clean, even pattern of light in any indoor office or retail environment. Made of aircraft grade aluminum and the highest quality LEDs, this fixture is designed to last for more than a decade with no more changing of lamps or ballasts.

Applications include: Office, Retail, Gymnasium, and Warehouse Spaces.



OL2M 60cm x 60cm Troffer

## DIMENSIONS



A	B	C
60cm	60cm	11.4cm
59.5cm	59.5cm	11.4cm

## FEATURES

- ActiveREST™ Dimming Technology - Fixture may be automatically dimmed when full light levels are not required. EXAMPLE - Dimming to level 40 equates to less than 9% of actual watts being consumed.
- ThermalDRAW™ Cooling Technology - Patented cooling technology ensures LED components will equal or exceed warranty.
- LightSpace® Lighting Controls - Fixture is capable of being programmed and controlled either individually or as part of a lighting zone via remote sensors, switches or building management system (BMS).
- Battery Backup Enabled - This option provides 48V DC support for an Emergency Battery Backup Unit (BBU sold separately) creating an Emergency LED Light Fixture.
- Surge Protection - Fixture has built-in surge protection, or in the case where the driver is located remotely, the surge protector is sold with the remote surge protector.
- Warranty - 10 Year Warranty on LED elements, fixture housing, and LED Driver. See page 2 for additional warranty information.

LIGHT OUTPUT

**4,430** lm

WATTS

**50** W

LUMENS per WATT

**88.6** lm/W

LIGHT COLOR (CCT)

**5000** K

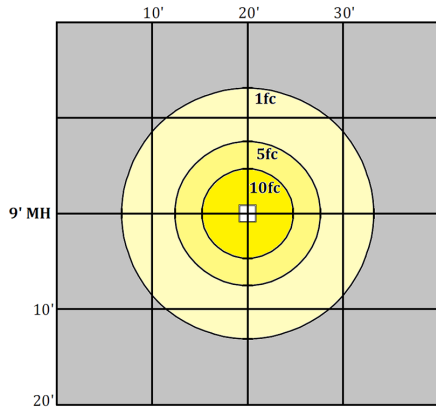
**ActiveLED®**  
Energy Efficient Lighting and Controls



NOTE: Lighting Facts shown for OL2, 48W only.

For more Lighting Facts, visit [lightingfacts.com](http://lightingfacts.com) for the Label and Label Reference Guide.

## PHOTOMETRICS



## PERFORMANCE DATA

AMBIENT TEMPERATURES	0 HOURS	45,000 HOURS	90,000 HOURS
77°F (25°C)	1.00	0.99	0.99
104°F (40°C)	1.00	0.98	0.96
131°F (55°C)	1.00	0.96	0.92
140°F (60°C)	1.00	0.95	0.90

Projected Lumen Maintenance (TM-21)

NOTE: Calculated using data collected according to LM-80 lumen maintenance on the LED package.

NOTE: Photometrics shown for OL2 Series, 48W only. Contact company for photometrics on other sizes.

## GENERAL SPECIFICATIONS

Input Voltage	Auto-sensing, 100-277 Volts AC, 50/60 Hz; Auto-sensing, 300-480 Volts AC, 50/60 Hz	LED Optics	IP51 rated, heat sink, thermally bonded LEDs., and patented thermal management mounting system
Input Power	6, 12, 24, 36, 48 and 72 Input Watts 8, 14, 26, 38, 50 and 74 LED Watts	CCT	2700K, 3000K, 3500K, 4000K, or 5000K
Power Factor	> 0.91 (at ~100-277 Volts)	Housing	Fabricated aluminum .063 thickness for heat sinking parts, electroplated galvanized steel for the pan, stainless steel hardware
THD	Total Harmonic Distortion (THD) <20% (typical 9.9%)	Finish	Powder coated after fabrication
Driver	Integral driver with aluminum housing, integrated intelligent controls and integral heat sink	Dimensions	For Grid Size 60cm x 60cm Actual Fixture Size 59.5cm x 59.5cm x 11.4cm
Operating Temperature	-58° F to 149° F (-50° C to 65° C)	Weight	5kg (11 pounds)
Lumen Lifetime	L90/90K Hrs @ 60° C (90,000 Hrs with 90% Luminous Flux)		

## WARRANTY

Ten (10) Year Warranty - LEDs, Fixture, and Driver shall conform to its published specifications under normal usage and operating conditions including "no light loss" of more than 10% at the end of the period. LEDs will produce at least 90% of their initial light output with no color shift after 90,000 hours of operation.

## LISTINGS AND TESTS

cUL listed driver, CE, suitable for exterior locations. RoHS compliant. IP51 Rated optical assembly. LM-79 and LM-80 info available. Conforms to FCC Part 15.19 Subpart B Class A. Made in USA - ARRA Compliant.

## ORDERING INFORMATION

Example: OL2MU-RT-A5OR36WH

Style	Voltage	Mount	Diffuser	CCT	Watts	Color	Options
<b>OL2M</b> 60cm X 60cm Lensed Troffer	<b>U</b> - 100-277 VAC, 50/60 Hz. <b>6</b> - 300-480 VAC, 50/60 Hz., Auto Sensing <b>N</b> - None <sup>1</sup> <b>E</b> - 45/48 VDC Driver <sup>2</sup>	<b>RT</b> Recessed Mount <b>RTF</b> Recessed Flange Mount <b>RTP</b> Recessed Plenum Mount	<b>A</b> Polychromatic Diffuser <b>B</b> Translucent Diffuser <b>H</b> Damp/Splash Proof Diffuser <b>K</b> Clear Acrylic Diffuser	<b>50</b> 5,000K <b>40</b> 4,000K <b>35</b> 3,500K <b>30</b> 3,000K <b>27</b> 2,700K	<b>R24</b> 24W LED, 26W Max (2126 Lumens) <b>R36</b> 36W LED, 38W Max (3189 Lumens) <b>R48</b> 48W LED, 50W Max (4252 Lumens) <b>R72</b> 72W LED, 74W Max (6379 Lumens) Lumens at 5,000K	<b>WH</b> White (Default) <b>BK</b> Black <b>BR</b> Brown <b>BZ</b> Bronze <b>CG</b> Charcoal <b>SL</b> Silver <b>X</b> Custom	<b>B</b> Battery Backup Enabled <b>P</b> Pigtail, 6' AC Whip

<sup>1</sup> Requires remote driver. Consult factory.

<sup>2</sup> No AC Support.