

OL2 Series 2x2 Recessed Indirect Troffer

RECESSED LIGHTING

300-480V

100-277V

**LM79
LM80**

IP63



PROJECT INFORMATION

Project Name _____

Catalog No. _____ Date _____

DESCRIPTION

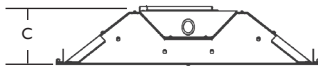
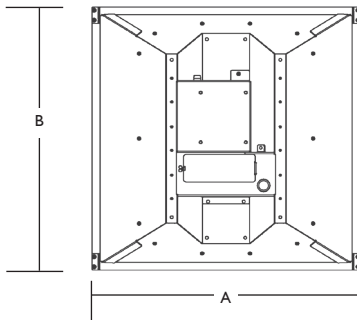
The ActiveLED® OL2 Series 2'x2' Recessed Indirect Troffer offers architectural design, superior color consistency and efficiency with optional dimming capabilities. Ideal for office, retail and warehouse settings, consuming 50-85% less energy than conventional lighting, installation options include new or retrofit lighting.

Applications include: Office, Retail and Warehouse Spaces.



OL2 Series 2x2 Recessed Indirect Troffer

DIMENSIONS



A	B	C
23.79"	23.82"	4.16"
60.4 cm	60.5 cm	10.5 cm

FEATURES

- ActiveREST™ Dimming Technology - Fixture may be automatically dimmed when full light levels are not required. EXAMPLE - Dimming to level 40 equates to less than 9% of actual watts being consumed.
- ThermalDRAW™ Cooling Technology - Patented cooling technology ensures LED components will equal or exceed warranty.
- LightSpace® Lighting Controls - Fixture is capable of being programmed and controlled either individually or as part of a lighting zone via remote sensors, switches or a building management system (BMS).
- Integrated Battery Backup Unit – The integrated BBU option converts any Recessed Indirect Troffer into an Emergency LED Lighting Fixture, providing at least three hours of emergency battery lighting in case of a power outage. The included battery charger carefully manages the Lithium Iron Phosphate (LiFePO4) battery pack to ensure a battery life of at least 10 years.
- Surge Protection - Fixture has built-in surge protection, or in the case where the driver is located remotely, the surge protector is sold with the remote driver.
- Warranty - 10 Year Warranty on LED elements, fixture housing, and LED Driver. See page 2 for additional warranty information.

LIGHT OUTPUT

5,583 lm

WATTS

74 W

LUMENS per WATT

79 lm/W

LIGHT COLOR (CCT)

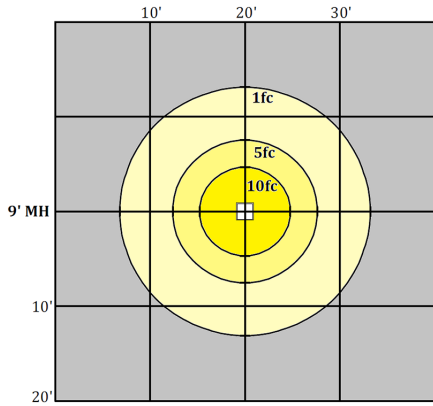
5000 K

NOTE: Lighting Facts shown for OL2, 72W only.
For more Lighting Facts, visit lightingfacts.com for the Label and Label Reference Guide.

ActiveLED®
Energy Efficient Lighting and Controls



PHOTOMETRICS



PERFORMANCE DATA

AMBIENT TEMPERATURES	0 HOURS	45,000 HOURS	90,000 HOURS
77°F (25°C)	1.00	0.99	0.99
104°F (40°C)	1.00	0.98	0.96
131°F (55°C)	1.00	0.96	0.92
140°F (60°C)	1.00	0.95	0.90

Projected Lumen Maintenance (TM-21)

NOTE: Calculated using data collected according to LM-80 lumen maintenance on the LED package.

NOTE: Photometrics shown for OL2 Series, 72W only. Contact company for photometrics on other sizes.

GENERAL SPECIFICATIONS

Input Voltage	Auto-sensing, 100-277 Volts AC, 50/60 Hz; Auto-sensing, 300-480 Volts AC, 50/60 Hz	LED Optics	IP63 rated, heat sink, thermally bonded LEDs., and patented thermal management mounting system
Input Power	24, 36, 48 and 72 LED Watts 26, 38, 50 and 75 Input Watts	CCT	2700K, 3000K, 3500K, 4000K, or 5000K
Power Factor	> 0.91 (at ~100-277 Volts)	Housing	Fabricated aluminum .063 thickness for pan and heat sinking parts, electroplated galvanized steel for the frame, stainless steel hardware
THD	Total Harmonic Distortion (THD) <20% (typical 9.9%)	Finish	Powder coated after fabrication
Driver	Integral driver with aluminum housing, integrated intelligent controls and integral heat sink	Dimensions	23.79" Wide x 23.82" Long x 4.16" (60.4 cm x 60.5 cm x 10.5 cm)
Operating Temperature	-58° F to 149° F (-50° C to 65° C)	Weight	11 pounds (8.8kg)
Lumen Lifetime	L90/90K Hrs @ 60° C (90,000 Hrs with 90% Luminous Flux)		

WARRANTY

Ten (10) Year Warranty - LEDs, Fixture, and Driver shall conform to its published specifications under normal usage and operating conditions including "no light loss" of more than 10% at the end of the period. LEDs will produce at least 90% of their initial light output with no color shift after 90,000 hours of operation.

LISTINGS AND TESTS

cUL listed driver, CE, suitable for interior locations. RoHS compliant. IP63 Rated optical assembly. LM-79 and LM-80 info available. Conforms to FCC Part 15.19 Subpart B Class A. Made in USA - ARRA Compliant.

ORDERING INFORMATION

Example: OL2U-RI-B50R36WH

OL2							
-----	--	--	--	--	--	--	--

Style	Voltage	Mount	Diffuser	CCT	Watts	Color	Options
OL2 2'X2' Recessed Indirect Troffer	U 100-277 VAC, 50/60 Hz.	RI Indirect Grid	A Polychromatic Diffuser	50 5,000K	R24 24W LED, 26W Max (1896 Lumens)	WH White	B Battery Backup Enabled ¹
	6 300-480 VAC, 50/60 Hz., Auto Sensing	RIE Indirect Grid w/ Emergency	B Translucent Diffuser	40 4,000K	R36 36W LED, 38W Max (2844 Lumens)	BK Black	P Pigtail, 6' AC Whip
	N None ¹	RIF Indirect Flanged Mount	H Damp/Splash Proof Diffuser	35 3,500K	R48 48W LED, 50W Max (3792 Lumens)	BR Brown	
	E 45/48 VDC Driver ²	RIFE Indirect Flanged w/ Emergency		30 3,000K	R72 72W LED, 75W Max (5688 Lumens)	BZ Bronze	
				27 2,700K		CG Charcoal	
						SL Silver	
						X Custom	

¹ Requires remote driver. Consult factory.

² No AC Support.

³ Requires a separate remote battery backup unit or DC power source.