

WSB Series Bristol Wall Sconce

WALL MOUNT

100-277V

**LM79
LM80**

IP66



PROJECT INFORMATION

Project Name _____

Catalog No. _____

Date _____

DESCRIPTION

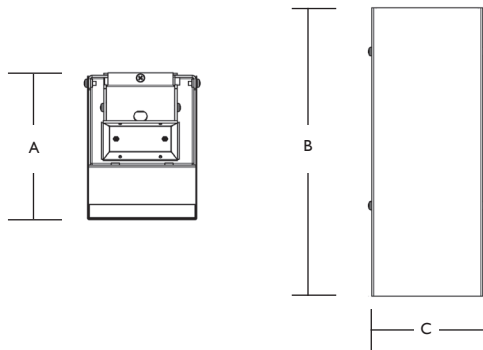
The ActiveLED® WSB Series Bristol Wall Sconce combines visually pleasing outdoor lighting with state-of-the-art LED, electronics and mechanical design. For outdoor locations, the Bristol Wall Sconce is ideal for improving light levels and increasing security. Custom colors are available for special applications.

Applications include: Walkways, Building Entrances, Breezeways and Atriums.



WSB

DIMENSIONS



A	B	C
5.53"	10.75"	4.07"
14.0 cm	27.3 cm	10.3 cm

FEATURES

- ActiveREST™ Dimming Technology - Depending on the LED Driver used, the fixture may be automatically dimmed when full light levels are not required. EXAMPLE - Dimming level 40 equates to less than 9% of actual watts being consumed.
- ThermalDRAW™ Cooling Technology - Patented cooling technology ensures LED components will equal or exceed warranty.
- LightSpace® Lighting Controls - The fixture is capable of being programmed and controlled either individually or as part of a lighting zone via remote sensors, switches or building management system (BMS).
- Warranty - 10 Year Warranty on LED elements, fixture housing, and LED Driver. See page 2 for additional warranty information.

CUSTOM COLOR OPTIONS



Any custom corporate, school, or team color is available. Specific RAL # color required at time of order.

LIGHT OUTPUT

1,080 Lm

WATTS

12 W

LUMENS per WATT

90 Lm/W

LIGHT COLOR (CCT)

5,000 K

NOTE: Lighting Facts shown for WSB, 12W only.

ActiveLED®
Energy Efficient Lighting and Controls



PERFORMANCE DATA

AMBIENT TEMPERATURES	0 HOURS	45,000 HOURS	90,000 HOURS
77°F (25°C)	1.00	0.99	0.99
104°F (40°C)	1.00	0.98	0.96
131°F (55°C)	1.00	0.96	0.92
140°F (60°C)	1.00	0.95	0.90

Projected Lumen Maintenance (TM-21)

NOTE: Calculated using data collected according to LM-80 lumen maintenance on the LED package.

GENERAL SPECIFICATIONS

Input Voltage	Auto Sensing, 100-277 Volts AC, 50/60Hz	LED Optics	IP66 rated, thermally bonded LEDs, borosilicate glass lens w/silicone sealing. Patented thermal management mounting system
Input Power	08 or 14 Input Watts 06 or 12 LED Watts	CCT	2700K, 3000K, 3500K, 4000K, or 5000K
Power Factor	> 0.95 (at ~100-277 Volts)	Housing	Electroplated galvanized steel for enclosure, .250 thick sheet aluminum for heat sink, stainless steel hardware
THD	Total Harmonic Distortion (THD) <20% (typical 9.9%)	Finish	Powder coated after fabrication
Driver	Integral driver with aluminum housing, integrated intelligent controls, and integral heatsink	Dimensions	4.07" (W) x 10.75" (H) x 5.53" (D) (10.3 x 27.3 x 14cm)
Operating Temperature	-58° F to 149° F (-50° C to 65° C)	Weight	4.5 pounds (2 kg)
Lumen Lifetime	L90/90K Hrs @ 60° C (90,000 Hrs with 90% Luminous Flux)		

WARRANTY

Ten (10) Year Warranty - LEDs, Fixture, and Driver shall conform to its published specifications under normal usage and operating conditions including "no light loss" of more than 10% at the end of the period. LEDs will produce at least 90% of their initial light output with no color shift after 90,000 hours of operation.

LISTINGS AND TESTS

CE, suitable for damp locations. RoHS compliant. IP53 Rated optical assembly. LM-79 and LM-80 info available. Conforms to FCC Part 15.19 Subpart B Class A. Made in USA - ARRA Compliant.

FIXTURE ORDERING INFORMATION

Example: WSB-J-N5012UDSL-P

WSB		N					
------------	--	----------	--	--	--	--	--

Style	Voltage	Diffuser	CCT	Watts	Pattern	Color	Options
WSB Sconce Bristol	J - 100-277 VAC, Single Voltage 50/60 Hz Not Digitally Capable	N - None	50 5,000K	06 6W LED, 8W Max (540 Lumens)	U All Up	SL Silver	P - Pigtail, 6' AC Whip, Indoor
	N - None ¹		40 4,000K	12 12W LED, 14W Max (1080 Lumens)	D All Down	BK Black	Q - Pigtail, 10' AC Whip, Indoor/Outdoor
	E - 45/48 VDC Driver ²		35 3,500K		UD Up / Down Split ³	BR Brown	
			30 3,000K	(Lumens at 5000K)		BZ Bronze	
			27 2,700K			CG Charcoal	
						WH White	
						X Custom	

¹ Requires remote driver. Consult factory.

² No AC Support.

³ 12 Watt Only.